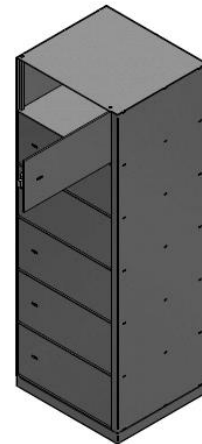
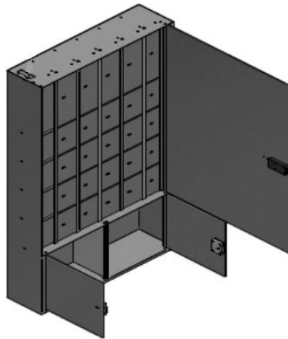
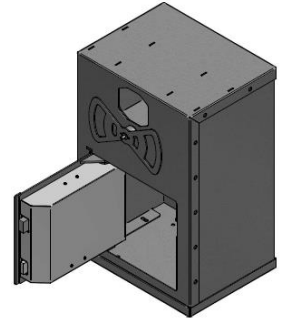




ITAS Steel SECURITY Products



**Steel cabinet made from 3 mm MS body and 6
2 sizes. Can be supplied with different locks**

Transfer Units

**Steel interlocking double door units for transfer
Of bulk Items**

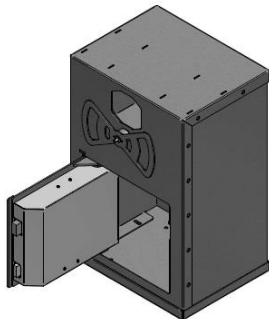
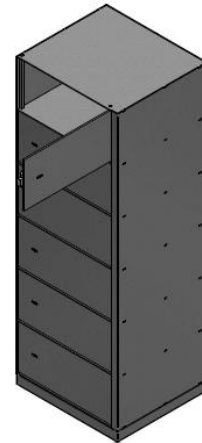


Wire Mesh Trolleys

**Designed to securely transport large
amounts of valuables**

Laptop Lockers

**A locker specifically designed to temporarily store
laptops
The unit is also available with an integrated power
point in
Each compartment to charge the laptop during
storage**



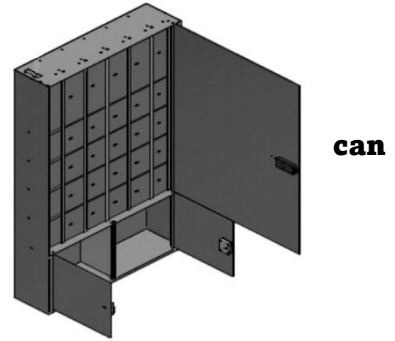
safes

Drop Safes

**ITAS produces a variety of steel drop
in different sizes and drop sizes**

Key cabinets

**A Steel cabinet with individual lockers where staff
Store their keys safely overnight**



can

TERMS AND CONDITIONS:

1. Quotation is valid for 14 Days.
2. All Prices Are Excluding VAT
3. 70% Non-Refundable Deposit Is Payable on acceptance of this quotation.
4. Outstanding balance of 30% is Payable by means of EFT prior to delivery and installation date.
5. If outstanding balance is not paid by the agreed delivery day, no equipment or products will be released.
6. Client will have 72hrs to submit final payment from agreed delivery date, where after the client will forfeit all Deposits paid and Equipment will be returned to suppliers.
7. Should the Client Accept the Complete Quotation in Full, an additional 5% Discount will be given.
8. Should InteRisk be awarded the complete tender of all the clients Control Rooms, and additional 10% Discount will be given.
9. Once client has accepted this quotation officially and accepted the Privacy and Non-Disclosure Terms, will the complete specifications be released to the customer.
10. The following are not included and to be attended to by others if applicable:
 11. Final finishes around unit
 12. Level floor surfaces
 13. Clean and constant 15Amp power points above equipment
 14. Tiles and painting
 15. Civil works not included
 16. Electrical conduit requirements
 17. Correct clear openings prior to installations
 18. Safety Files, Inductions & Medical Tests not included
 19. Site Specific Safety File available @ R5000.00 per file
 20. Building in of Strong Room Door & Anti Bandit Doors

Work to be attended to during normal working hours. Additional Trips will be charged.

**We thank you for the opportunity to quote, and look forward to your further advices.
Should you require any further details please contact me.**

We thank you for the opportunity to quote, and look forward to your further advices. Should you require any further details please contact me.

If we can be of any assistance in ensuring the success of your next project, please do not hesitate to call.

ALSO PLEASE FEEL FREE TO ENQUIRE ABOUT OUR NEW PRODUCTS AND SERVICES RANGE.

KOPANENG SECURITY NOW SUPPLIES ALL SECURITY, SAFETY AND RISK PRODUCTS.

Please Note: All Prices and Services are subject to approval and stock availability.

Prices and Services can change without any notice.

WIFI / Fiber / Network on stable connection.

I hope you find this email in order and looking forward to your response.

Andre vd Westhuizen

andre@kopanengsecurity.co.za

076 164 4080

Christelle vd Westhuizen

christelle@kopanengsecurity.co.za

079 887 2053