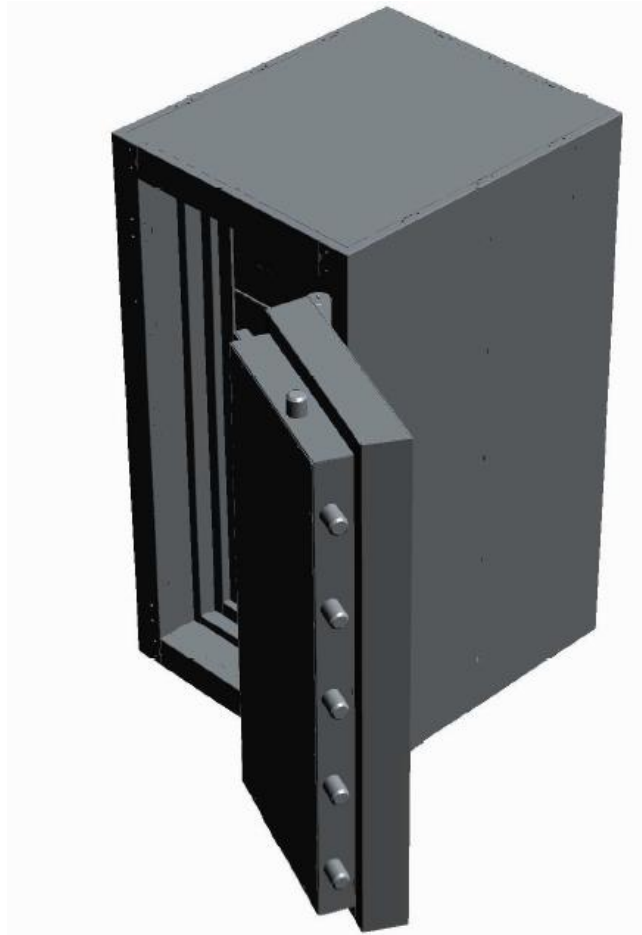




ITAS SAFES



1 SANS 751 Safes

- 1.1 ITAS is certified by SABS to make a variety of SANS 751 categorized :
- 1.2 Our 3D design software allows us to develop new sizes and shapes c new customer needs
- 1.3 The ITAS safes are equipped with an intelligent hinge, that allows fo through it to bring signals in and out of the door without the use of exterior door loops. The hinge can also be equipped with a medium tamper proof door position sensor to prevent electronic locks from the actual door being fully closed and locked

2 **Blast resistant Safes**

2.1 ATM safes and Intelligent drop safes are both vulnerable to attacks with explosives, due to the fact that there inherently is an opening in the safe for the cash to be either dispensed or deposited. To combat this vulnerability ITAS has developed the following 2 products

2.1.1 Blast resistant locking mechanism

2.1.1.1 The ITAS Blast resistant locking mechanism is designed to replace the traditional locking mechanism used on safes

2.1.1.2 This blast resistant locking can be used on both ATM safes and Intelligent drop safes.

2.1.1.3 The mechanism prevents the door from being blown off when explosives are inserted into the safe through the opening

2.1.1.4 This mechanism has successfully been tested with up to 200 gr of commercial explosives

2.1.2 Blast resistant Shutter

2.1.2.1 The ITAS Blast resistant shutter is an automated shutter that can be used on drop safes to close off the opening in the safe when no deposit is been made

2.1.2.2 The blast resistant shutter has successfully been tested with up to 250 gr of commercial explosives

3 **Drop Safes**

3.1 ITAS also produces a variety of drop safes with SANS 751 approved barriers or from sheet metal to meet customer requirements

4 **Locks**

4.1 ITAS safes can be equipped with mechanical Key locks, Combination locks and a variety of electronic locks

4.2 ITAS also manufactures its own electronic locks and electronics to achieve

4.2.1 time delayed opening on safes

4.2.2 Interlocking of safes

4.2.3 Monitoring and remote unlocking of safes

TERMS AND CONDITIONS:

- 1. Quotation is valid for 14 Days.**
- 2. All Prices Are Excluding VAT**

- 3. 70% Non-Refundable Deposit Is Payable on acceptance of this quotation.**
- 4. Outstanding balance of 30% is Payable by means of EFT prior to delivery and installation date.**
- 5. If outstanding balance is not paid by the agreed delivery day, no equipment or products will be released.**
- 6. Client will have 72hrs to submit final payment from agreed delivery date, where after the client will forfeit all Deposits paid and Equipment will be returned to suppliers.**
- 7. Should the Client Accept the Complete Quotation in Full, an additional 5% Discount will be given.**
- 8. Should InteRisk be awarded the complete tender of all the clients Control Rooms, and additional 10% Discount will be given.**
- 9. Once client has accepted this quotation officially and accepted the Privacy and Non-Disclosure Terms, will the complete specifications be released to the customer.**
- 10. The following are not included and to be attended to by others if applicable:**
 - 11. Final finishes around unit**
 - 12. Level floor surfaces**
 - 13. Clean and constant 15Amp power points above equipment**
 - 14. Tiles and painting**
 - 15. Civil works not included**
 - 16. Electrical conduit requirements**
 - 17. Correct clear openings prior to installations**
 - 18. Safety Files, Inductions & Medical Tests not included**
 - 19. Site Specific Safety File available @ R5000.00 per file**
 - 20. Building in of Strong Room Door & Anti Bandit Doors**

Work to be attended to during normal working hours. Additional Trips will be charged.

**We thank you for the opportunity to quote, and look forward to your further advices.
Should you require any further details please contact me.**

We thank you for the opportunity to quote, and look forward to your further advices. Should you require any further details please contact me.

If we can be of any assistance in ensuring the success of your next project, please do not hesitate to call.

ALSO PLEASE FEEL FREE TO ENQUIRE ABOUT OUR NEW PRODUCTS AND SERVICES RANGE.

KOPANENG SECURITY NOW SUPPLIES ALL SECURITY, SAFETY AND RISK PRODUCTS.

Please Note: All Prices and Services are subject to approval and stock availability.

Prices and Services can change without any notice.

WIFI / Fiber / Network on stable connection.

I hope you find this email in order and looking forward to your response.

Andre vd Westhuizen

andre@kopanengsecurity.co.za

076 164 4080

Christelle vd Westhuizen

christelle@kopanengsecurity.co.za

079 887 2053